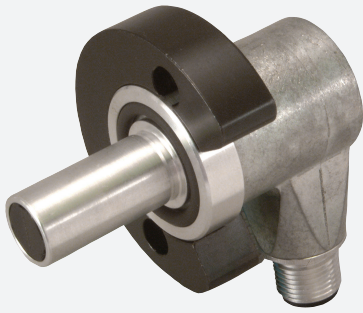


Inductive sensor

NJ2-D-US-1.500-V12

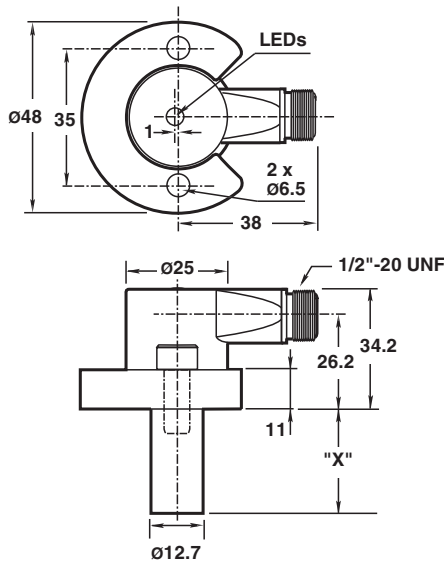


- 2-wire AC/DC
- Weld Immune
- Sensing range 2 mm
- 3000 psi rating

Cylinder Position Switch



Dimensions



Technical Data

General specifications		
Switching function		Normally open (NO)
Output type		Two-wire
Rated operating distance	s_n	2 mm
Installation		flush
Output polarity		AC/DC
Assured operating distance	s_a	0 ... 1.62 mm

Release date: 2022-06-30 Date of issue: 2022-06-30 Filename: 906591_eng.pdf

Refer to "General Notes Relating to Pepperl+Fuchs Product Information".

Pepperl+Fuchs Group
www.pepperl-fuchs.com

USA: +1 330 486 0001
fa-info@us.pepperl-fuchs.com

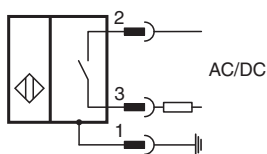
Germany: +49 621 776 1111
fa-info@de.pepperl-fuchs.com

Singapore: +65 6779 9091
fa-info@sg.pepperl-fuchs.com

Technical Data

Reduction factor r_{AI}		0.4
Reduction factor r_{304}		0.85
Output type		2-wire
Nominal ratings		
Operating voltage	U_B	20 ... 250 V AC/20 ... 300 V DC
Switching frequency	f	0 ... 20 Hz
Hysteresis	H	10 ... 20 % 15 typ.
Reverse polarity protection		yes
Short-circuit protection		yes
Voltage drop	U_d	≤ 7 V
Momentary current (20 ms, 0.1 Hz)		max. 3 A
Operating current	I_L	8 ... 300 mA
Off-state current	I_r	< 1.7 mA
Mag. Field strength, AC fields		250 mT
Mag. Field strength, DC fields		100 mT
Limit data		
Operating pressure dynamically		3000 psi
Indicators/operating means		
LED green		Power on
LED red		Output status
LED red/green		Short circuit/overload indication
Standard conformity		
Standards		EN 60947-5-2
Approvals and certificates		
UL approval		cULus Listed, General Purpose
CSA approval		cCSAus Listed, General Purpose
Ambient conditions		
Ambient temperature		-25 ... 70 °C (-13 ... 158 °F)
Mechanical specifications		
Connection type		Connector plug 1/2"-20 UN , 3-pin
Degree of protection		IP67
Material		Housing: zinc Probe: aluminum
Note		X = 1.50 in (38.1 mm)

Connection



Connection Assignment



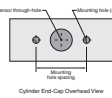
Wire colors

- 1 | GN (green)
- 2 | RD/BK (red/black)
- 3 | RD/WH (red/white)

Additional Information

NPT Type Mounting Holes:

1000 and 3000 psi NPT Types:
 Mounting hole screw thread shall be 1/4" - 20.
 Minimum thread engagement depth is 0.250" (6.35 mm)
 Hole spacing is 35 mm center to center.



Mounting Screws:

Standard 1000 and 3000 psi models use two, self-locking 1/4"- 20 socket head cap screws (provided).
 Recommended tightening torque: 150 in lb (16.95 N-m).

Important: When using spacers, make certain to maintain the 0.250" (6.35 mm) minimum mounting screw thread engagement.

Accessories

SPACER 0.160 TO 0.375 : Spacer for cylinder switches X.XXX"
SPACER 0.380 TO 0.875 : Spacer for cylinder switches X.XXX"

Release date: 2022-06-30 Date of issue: 2022-06-30 Filename: 906591_eng.pdf